

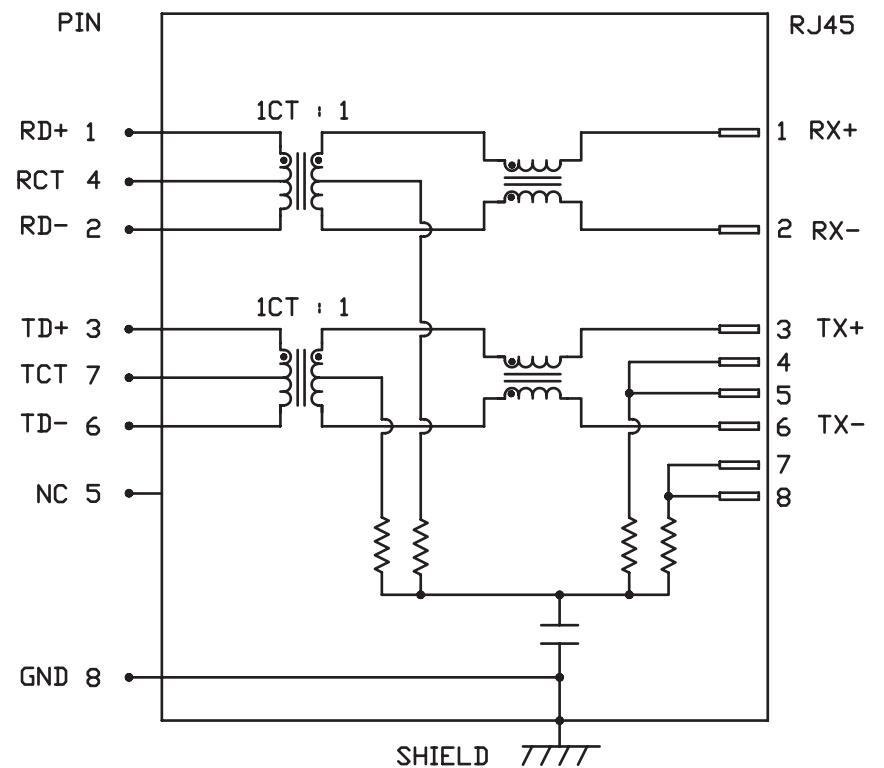
# INTEGRATED CONNECTOR MODULES

0811-2X6R-28-F 10/100Base-TX MagJack® 2 x 6



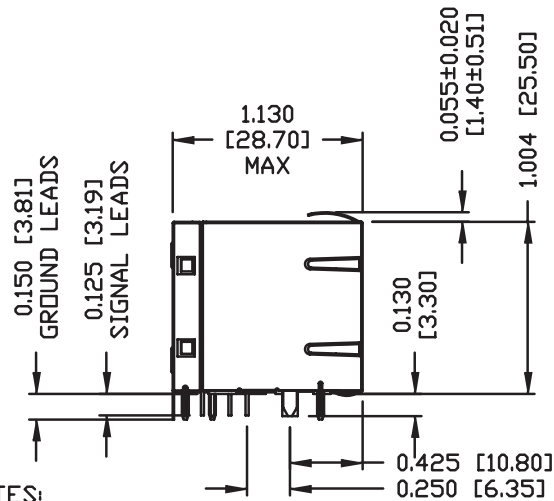
## ELECTRICAL CHARACTERISTICS @ 25°C

RETURN LOSS (MIN.)	
1MHz-30MHz	-18 dB
60MHz-80MHz	-12 dB
INSERTION LOSS	
100kHz TO 100MHz	-1.1 dB
□CL @ 0.1V, 100kHz	
8mA DC BIAS	350μH MIN.
TURNS RATIO	1CT : 1CT ±3%
CM TO CM REJ	
100kHz - 100MHz	-35 dB MIN
CM TO DM REJ	
100kHz - 100MHz	-40 dB MIN
XTALK	
100kHz TO 100MHz	-35 dB MIN.



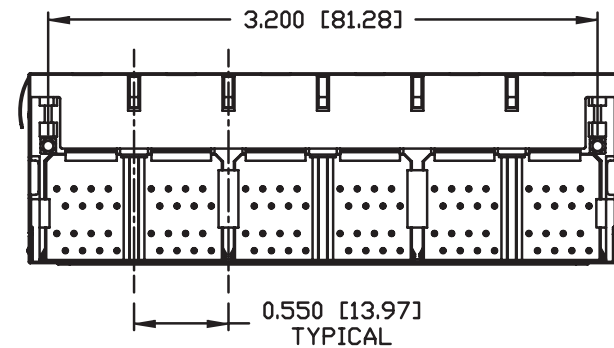
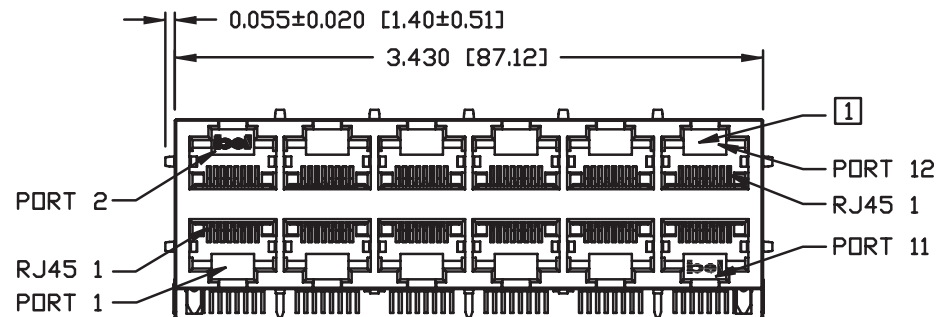
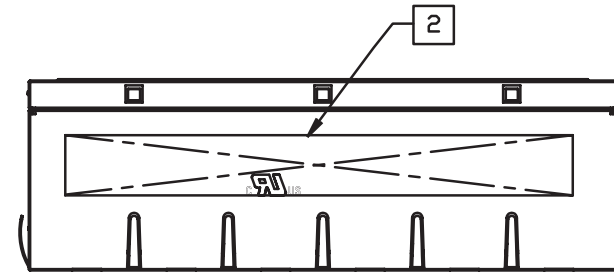
# INTEGRATED CONNECTOR MODULES

0811-2X6R-28-F 10/100Base-TX MagJack® 2 x 6



NOTES:  
 PLASTIC HOUSING: THERMOPLASTIC PBT  
 FLAMMABILITY RATING UL 94V-0  
 CONTACT PLATING: 30 MICRO-INCH HARD GOLD PLATING  
 OUTPUT PINS: TIN-COATED COPPER WIRE, DIA 0.018 INCH.  
 METAL SHIELD: NICKEL PLATED COPPER ALLOY.  
 (ALL GROUND LEADS ARE SOLDER DIPPED)

- 1. JACK CAVITY CONFORMS TO FCC RULES AND REGULATIONS, PART 68 SUBPART F.
  - 2. MARK PART WITH MFG LOGO, MFG NAME, PART NUMBER, AND DATE CODE.
  - 3. RoHS COMPLIANCE, PER EU DIRECTIVE 2002/95/EC.
- us UL RECOGNIZED - FILE #E196366 AND E169987.

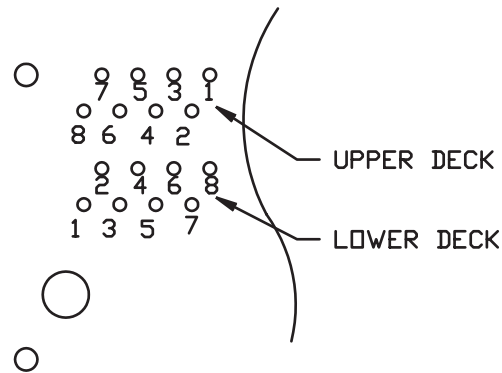
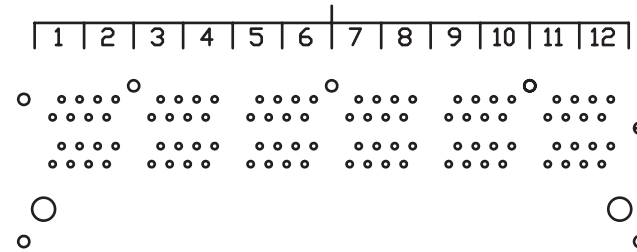


# INTEGRATED CONNECTOR MODULES

0811-2X6R-28-F 10/100Base-TX MagJack® 2 x 6

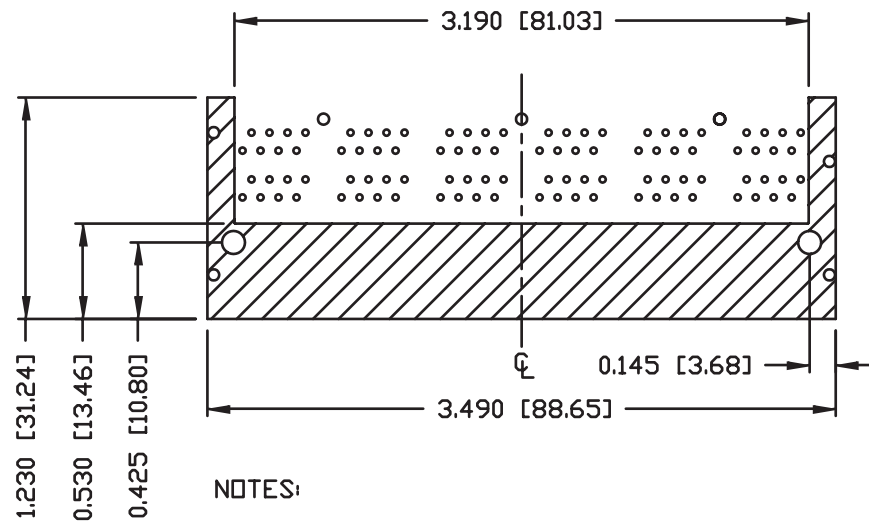


PORT ASSIGNMENT  
(COMPONENT SIDE VIEW)



PIN-OUT INFORMATION  
(COMPONENT SIDE VIEW)

8	GND
7	TCT
6	TD-
5	NC
4	RCT
3	TD +
2	RD -
1	RD +

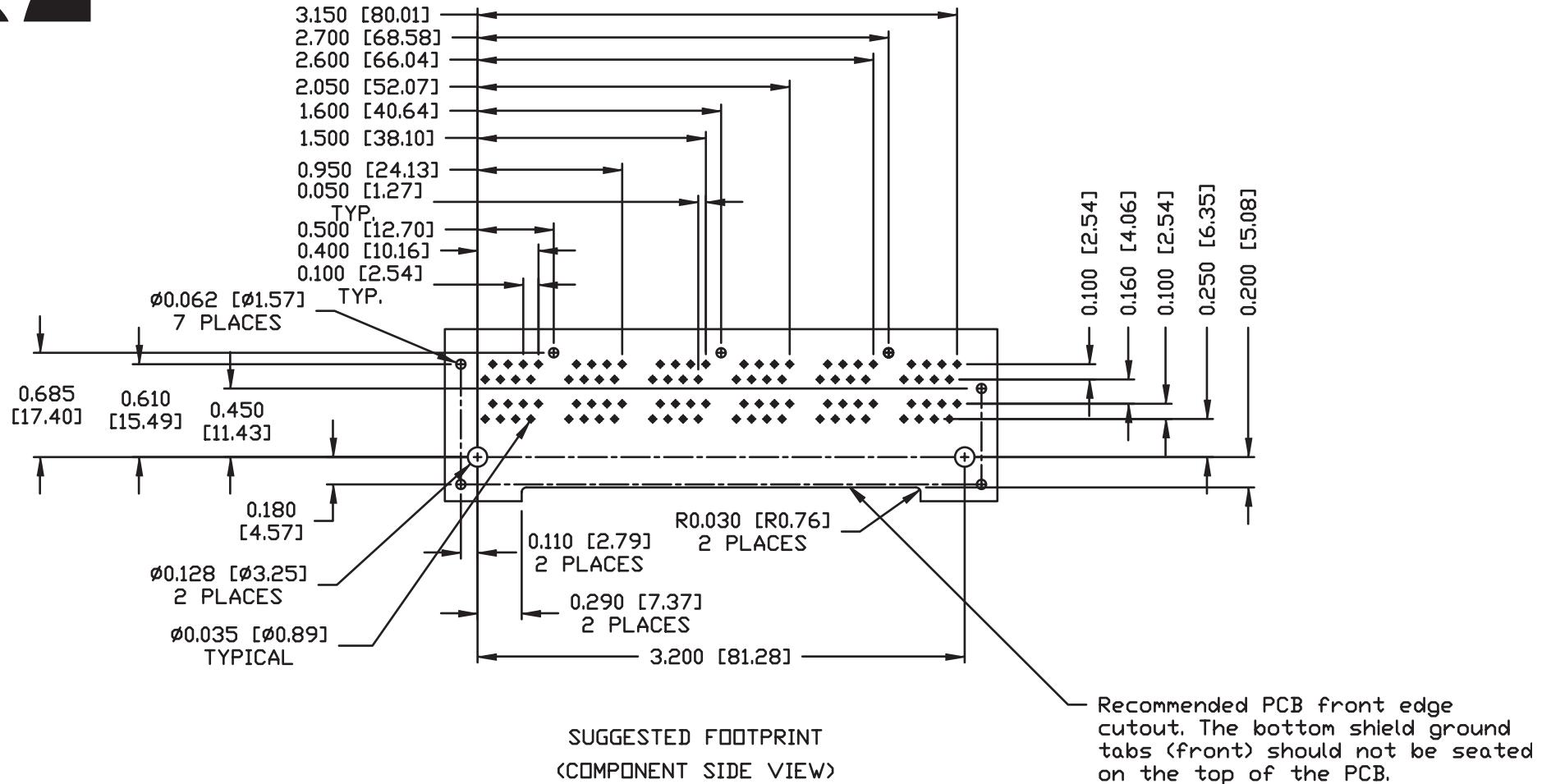


NOTES:

THE SHADED AREA ON THE CUSTOMER BOARD ARE RECOMMENDED TO BE CLEAR OFF ANY VIA HOLE OR COMPONENT PAD.

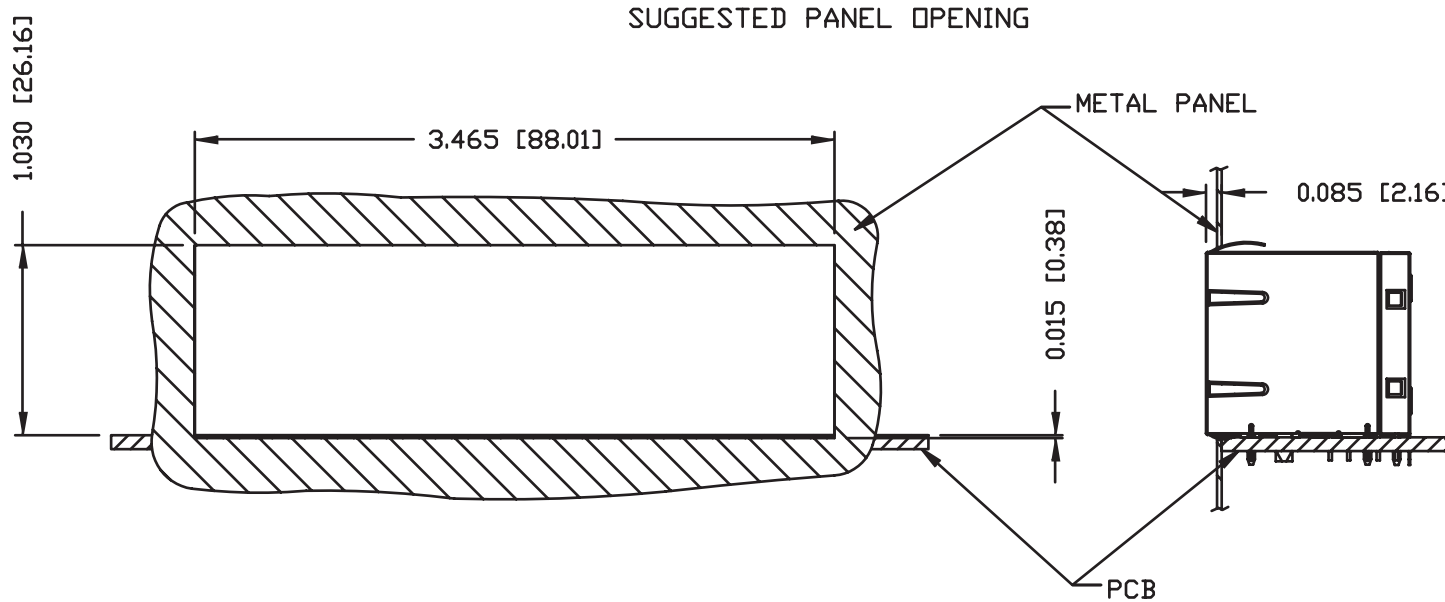
# INTEGRATED CONNECTOR MODULES

0811-2X6R-28-F 10/100Base-TX MagJack® 2 x 6



## INTEGRATED CONNECTOR MODULES

0811-2X6R-28-F 10/100Base-TX MagJack® 2 x 6



**NOTE:**

THE DISTANCE OF PANEL INSIDE SURFACE RELATIVE TO FRONT SURFACE OF PART IS ONLY A SUGGESTION. IN CASE THIS DISTANCE IS DIFFERENT, THE REQUIRED PANEL OPENING DIMENSIONS CHANGE ACCORDINGLY.

**PACKING INFORMATION**

PACKING TRAY : 0200-9999-A9 (TOP)  
0200-9999-A8 (BOTTOM)

PACKING QUANTITY : 15 PCS FINISHED GOODS PER TRAY  
7 TRAYS (105 PCS FINISHED GOODS) PER CARTON BOX

NOTE : CARDBOARDS ARE PLACED BETWEEN LAYERS OF PACKING TRAY INSIDE CARTON BOX  
(INCLUDE THE UPPERMOST AND LOWERMOST TRAY)